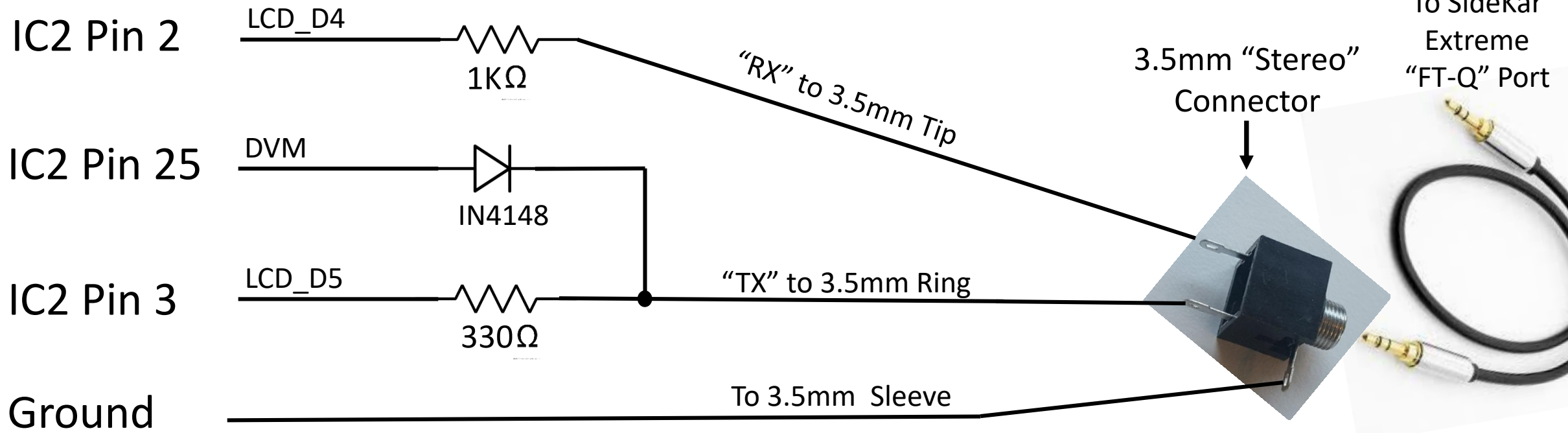


QRP Labs QCX CAT Port Schematic for the QRPworks SideKar Extreme

QCX Classic revs 1-4



Note: QCX Classic rev 5 has the components already installed. All you need to add is the 3.5mm connector